

# AC6D35HM

**STANDARD MATERIALS AND CONSTRUCTION**

**FRAME:** .081" thk. (nominal) extruded aluminum, 6063-T52/T6 alloy. Channel type.

**BLADES:** Stationary blades are made from .081" thk. (nominal) extruded aluminum 6063-T52/T6 alloy. Adjustable Blades are made from .125" thk. (nominal) extruded aluminum 6063-T52/T6 alloy. Blades are approximately 4½" on centers.

**LOUVER FACE:** Full width sill with head and blades contained within jams.

**SHAFT:** .50" dia. aluminum "Pin-Lock" rod.

**LINKAGE:** Extruded aluminum, concealed in the channel out of the airstream. The pivots, which rotate in Celcon bearings, are .50" dia. plated and machined steel. The pivot is locked to the 5/16" dia. aluminum linkage rod by a ¼ - 20 set screw with epoxy locking patch.

**SEALS:** Extruded silicone rubber seals at blade edge. Foam on bottom blade. Stainless steel at jams.

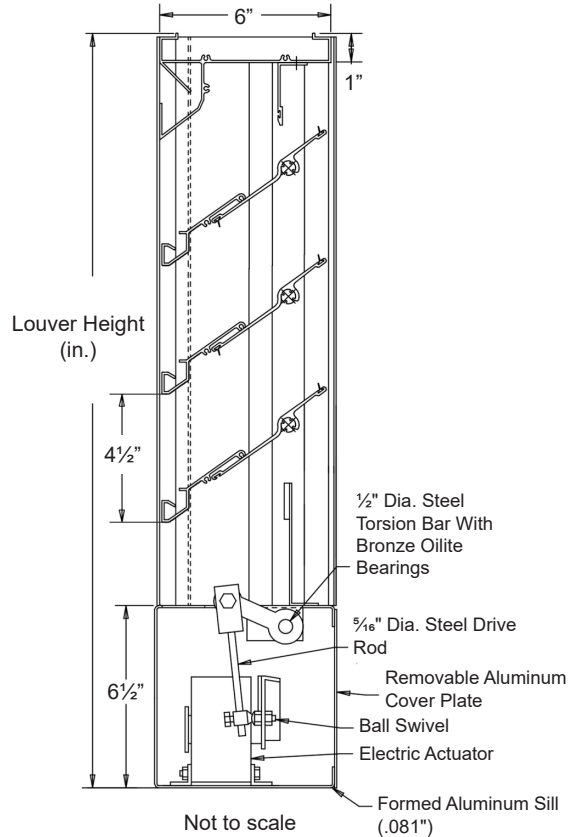
**SCREEN:** (When indicated, in a removable frame) ½" flattened aluminum, .051" thk.,

-or- Insect screen 18/6 aluminum mesh, .011" dia.,

-or- ½" sq. mesh intermediate double crimped aluminum wire, .063" dia.

**FINISH:** Mill.

**ACTUATOR:** 120 VAC spring return normally closed. 133 in-lbs. torque.



**OPTIONS**

Finishes - Enamels, Epoxies, etc.

Other screens available.

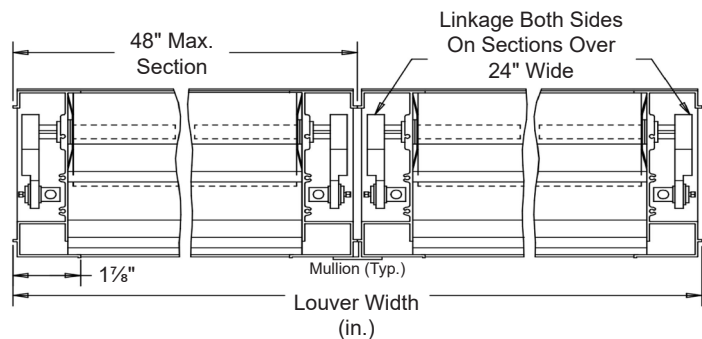
Actuators - Electric, Pneumatic, Manual, etc.

**NOTES**


1. Nominal deductions will be made to the opening size given.
2. Approximate shipping weight is 5.7 lbs./sq.ft.

**LOUVER SIZES**

Min Panel	Max Single Panel
12"W x 19"H	48"W x 96"H



In the interest of product development, Airline Louvers reserves the right to make changes without notice.

										
Item #	Qty	Width	Height	Width	Height	Mullion	Type	Location		
		Opening Size		Louver Size			Screens		Job:	
<b>Arch. / Eng. :</b>						<b>EDR:</b>		<b>ECN:</b>		<b>Job:</b>
<b>Contractor:</b>										
<b>Project:</b>						<b>Date:</b>		<b>DWN:</b>		<b>DWG:</b>